

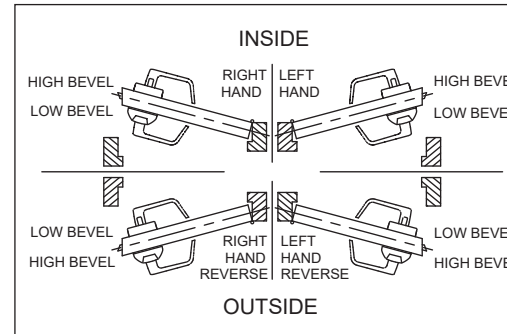
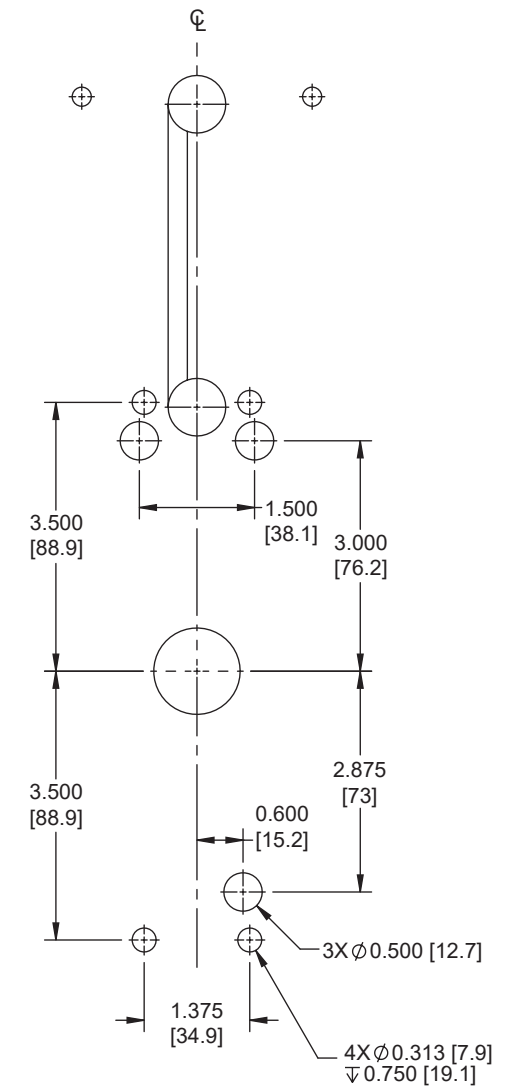
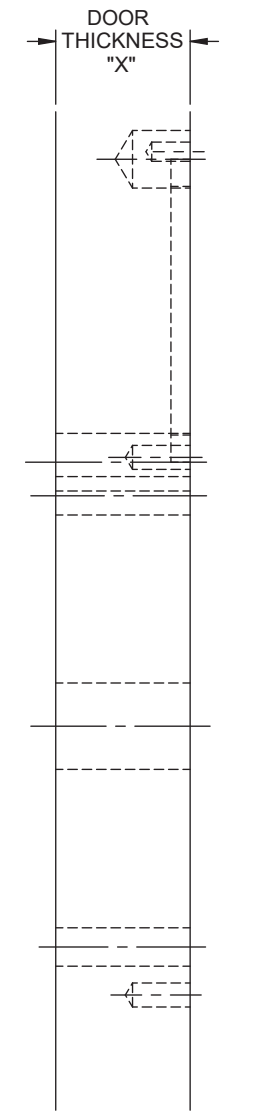
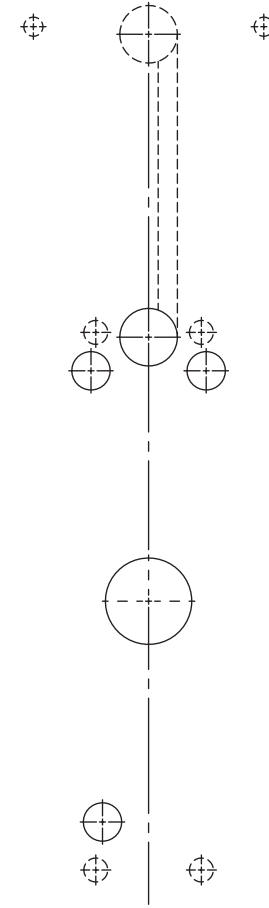
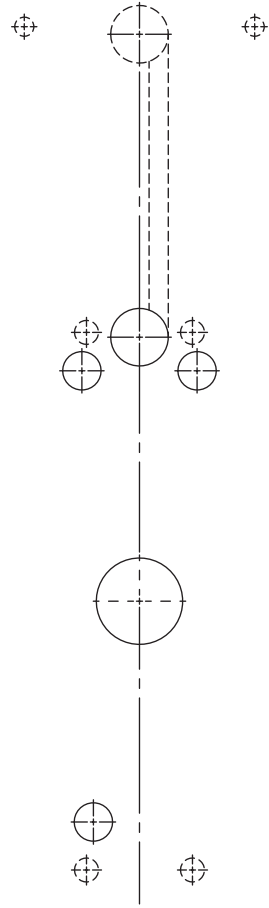
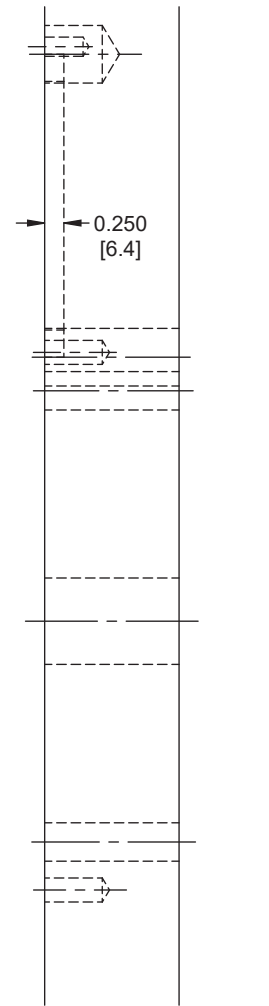
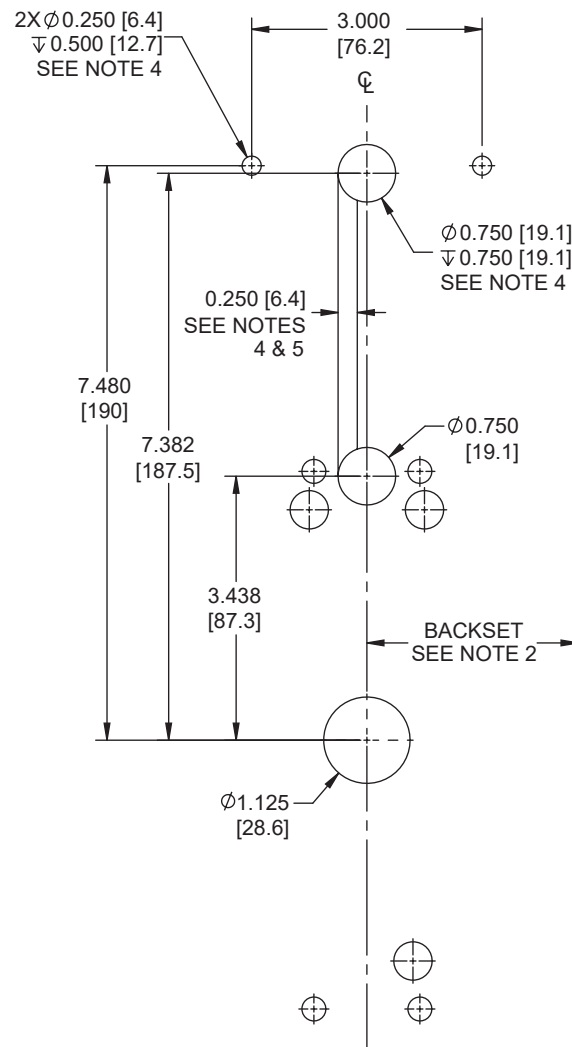
# Saffire LX-P & Saffire EVO LZ-P

DETEX 10/F10/20/F20, VON DUPRIN 98/99/9827/9927, PRECISION 21/FL21/22/FL22

## Exit door preparation

**NOTES:**

1. FOR EXIT DEVICE AND MORTISE LOCK CUT-OUT REFER TO EXIT DEVICE MANUFACTURER INSTALLATION INSTRUCTIONS.
2. BACKSET SHOWN FOR REFERENCE ONLY, ADJUST BACKSET TO EXIT DEVICE MANUFACTURER INSTALLATION INSTRUCTIONS. BACKSET TO BE ADJUSTED TO LOW AND HIGH BEVEL DOOR EDGE AS PER BACKSET ADJUSTMENT TABLE.
3. DIMENSIONS ARE SYMMETRICAL ABOUT  $\phi$  UNLESS OTHERWISE NOTED.
4. FOR SURFACE MOUNT VARIANTS PLEASE REFER TO IP-516418-15 FOR THE PLACEMENT OF HOLE 0.750" & CABLE GROOVE 0.250". HOLES 2x0.250" NOT REQUIRED.
5. GROOVE TO BE DONE ONLY IN SOLID DOORS. TO PASS WIRES INSIDE THE DOOR FOR HOLLOW DOORS.
6. REFER TO SPECIFIC TOLERANCES TABLE FOR DIMENSIONS MARKED WITH #.
7. DRAWING IS NOT TO SCALE.
8. DIMENSIONS ARE IN INCHES [mm].



DIMENSIONS = IMPERIAL/IMPÉRIAL [MILLIMETER / MILLIMÈTRE]  
 3D FILE GOVERNS ALL UNSPECIFIED DIMENSIONS & GENERAL TOLERANCES APPLY / LES DIMENSIONS NON SPÉCIFIÉES SONT DÉFINIES PAR LE FICHIER 3D ET LES TOLÉRANCES GÉNÉRALES S'APPLIQUENT  
 GENERAL TOLERANCE, UNLESS OTHERWISE SPECIFIED / TOLÉRANCES GÉNÉRALES, SAUF SI SPÉCIFIÉ AUTREMENT

THREAD CLASS / FILET SAE: 2A-2B ISO: 6g / 6H FINISH / FINI  
 ANGLE:  $\pm 1^\circ$  CHAMFER / CHANFREIN:  $\leq \pm 5^\circ$

BACKSET ADJUSTMENT FOR 3° BEVEL DOOR		
DOOR THICKNESS DIMENSION X	DOOR THICKNESS DIMENSION X	BACKSET ADJUSTMENT DIMENSION Y
1.25" [31.8mm]		.032" [0.81mm]
1.50" [38.1mm]		.039" [1.00mm]
1.75" [44.5mm]		.046" [1.17mm]
2.00" [50.8mm]		.052" [1.32mm]
2.25" [57.2mm]		.059" [1.50mm]
2.50" [63.5mm]		.065" [1.65mm]
2.75" [69.9mm]		.072" [1.83mm]

SPECIFIC TOLERANCES	
DISTANCES	$\pm .030$ [0.75]
HOLES $\phi$	$\pm .010$ [0.25]
DIMS MARKED #	$+ .030$ [0.75]
	$- .000$ [0.00]

**WARNING**

- To verify lock coverage and door operation meets expectations, dormakaba strongly recommends completing a full door mockup. This will ensure that all necessary products and parts for a successful installation are included.
- Always validate that you have selected the correct template for specific lock model being installed. The same lock model can be offered with different locking device options.
- Drawing is not to scale. Measurements are for reference only. Not a drilling template.
- If you have any questions, please contact your local sales representative or authorized reseller.